



鞍山千钢

千 金一诺做品质
钢 筋铁骨创未来



Mining production line



- Crushing equipment
- Screening and feeding equipment
- Conveying equipment



E-mail : <http://www.as-qg.com>

Add : 460AnLiu Road TieXiDistrict Anshan Liaoning Province

鞍山千钢机械制造有限公司

ANSHAN QIANGANG MACHINERY MANUFACTURING CO.,LTD.



» Contents

1 Company introduction

2 Company culture

3 Equipment and production lines

4 Product introduction

QHP series cone crusher

ZM series cone crusher

QC series cone crusher

QG series cone crusher

CC series jaw crushers

LZ Series Vertical shaft impact crushers

XH Series Primary gyratory crushers

FP Series impact crusher

XM Series inclined screens

TY Series horizontal screens

XJ Series banana screens

BT Series Grizzly Feeders

Conveyors

5 workshop and spare parts



Enterprise profile

Anshan Qiangang Machinery Manufacturing Co., Ltd. is mainly engaged in the research and development, production and sales of high-end crushing equipment for mining sand. Tailor-made for customers overall planning and design, engineering construction, installation and commissioning, operation and maintenance and other integrated technical solutions, to undertake general contract engineering services, control the production line with carefree.

Main products: multi-cylinder hydraulic cone crushers, single-cylinder hydraulic cone crushers, jaw crushers, vertical shaft impact crushers, gyratory crushers, impact crushers, vibrating screens, feeders and production line supporting equipment. The company's product sales and service network covers all provinces and cities and a number of countries and regions, to provide customers with a full range of services. The company always adheres to the service tenet of "quality determines fortune, integrity creates future", takes customers as the center, and becomes a community of interests with customers.



Enterprise culture

Enterprise purpose: integrity and pragmatic, excellence.

Enterprise philosophy: Excellent quality, leading technology, service in place, win-win cooperation.

Enterprise spirit: One thousand gold and one commitment to quality, steel and iron bones create the future.

Direction of struggle: Strive to be the leader of crushing industry.





Equipment and production lines







QHP series cone crusher

Product advantage



Grain size uniform

The principle of crushing is laminating, it is not only effectively reduce wear, prolong the service life of wearing parts, but also make the finished cube account for a higher, fewer needle and flake products, more uniform grain size, and meet the needs of high quality. With unique working principle and optimized structure, it has stronger carrying capacity, larger installed power and higher production capacity.

Hydraulic protection, oil lubrication

Hydraulic control discharge port, overload protection and cavity cleaning action, make the equipment running smoothly and safely, reduce the downtime and maintenance time, improve the crushing efficiency. Unique thin oil lubrication system, greatly improve the service life of equipment.

Working principle

The material be squeezes by eccentric swinging of head in a fixed crushing cavity to complete the crushing. Hydraulic control to adjust discharge and overloading protection.

The same host, only change liner plate and eccentric sleeve can obtain a wider range of discharge size

scope of material product usage

Sand and stone plant, concrete mixing plant, dry mortar, power plant desulfurization, quartz sand, etc. Iron, gold, copper and other metallic mineral materials; Pebble, granite, basalt, limestone, quartzite, diabase and other non-metallic materials.

Increased degree of Automation

Advanced PLC electrical system be used, it can continuously monitor the state of operation, simple operation, safe and reliable; The single operation system can also be integrated into the production line control system to complete the linkage control system.

Multi-purpose a machine convenient maintenance

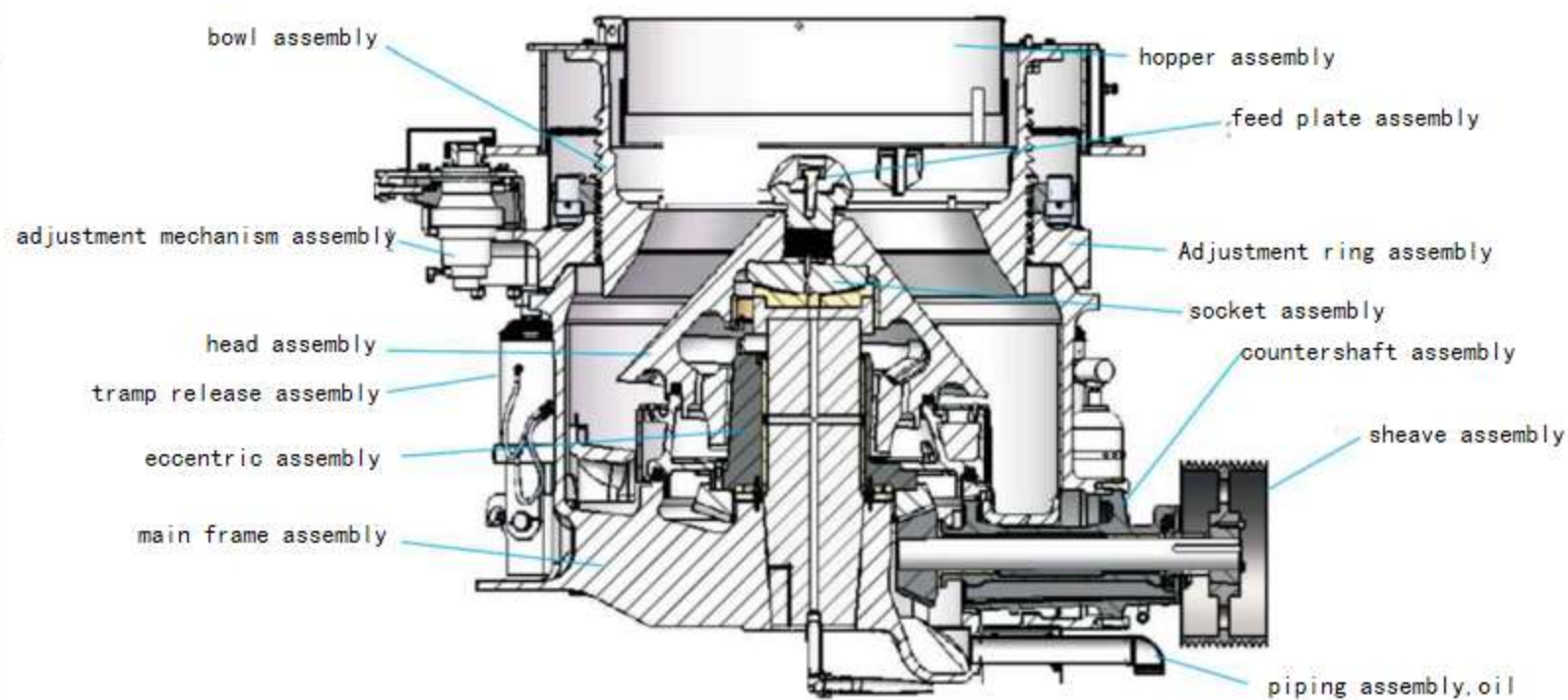
Only the replacement of liner and other related parts can make the cavity shape conversion, to meet the requirements of medium and fine crushing. Reasonable structure, reliable operation, low operation cost, high quality of finished products

Technical specifications

Type	Cavity	The cavity-specific closed side feed opening(mm)	minimum setting (mm)	Capacity (t/h)	Power (kW)
QHP200	STD-C	185	19	90-250	160
	STD-M	125	17		
	STD-F	95	13		
	SH-C	76	10		
	SH-M	54	6		
	SH-F	23	5		
	SH-EF	10	6		
QHP300	STD-EC	233	25	115-440	250
	STD-C	211	19		
	STD-M	150	17		
	STD-F	107	13		
	SH-C	77	10		
	SH-M	53	8		
	SH-F	22	6		
QHP400	STD-EC	299	30	140-630	315
	STD-C	252	25		
	STD-M	198	20		
	STD-F	111	14		
	SH-C	92	10		
	SH-M	52	8		
	SH-F	51	6		
QHP500	STD-EC	335	30	175-790	400
	STD-C	286	25		
	STD-M	204	20		
	STD-F	133	16		
	SH-C	95	13		
	SH-M	57	10		
	SH-F	52	8		
	SH-EF	53	6		

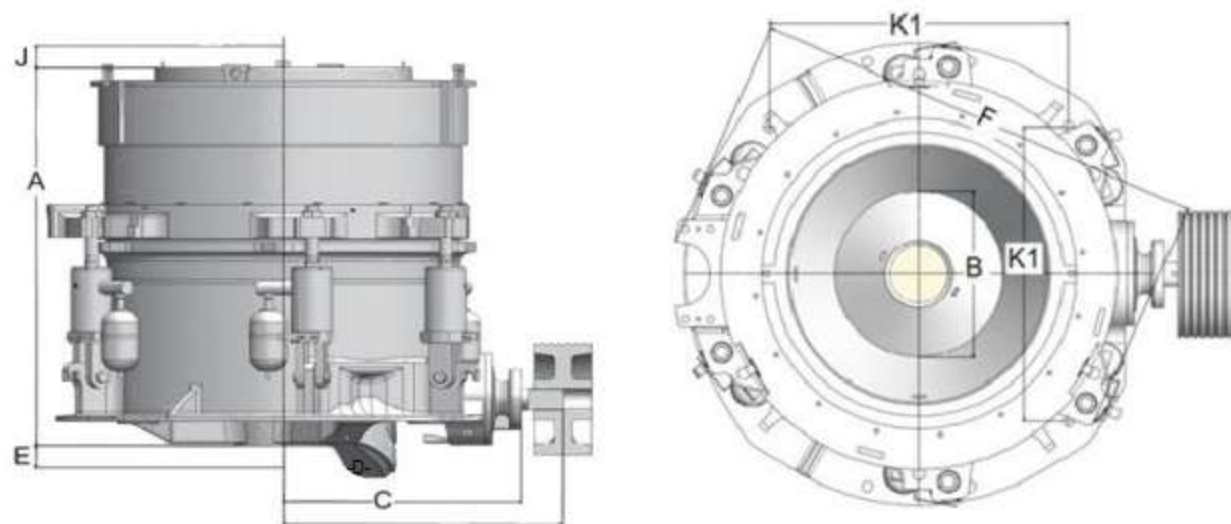
Type	Cavity	The cavity-specific closed side feed opening(mm)	minimum setting (mm)	Capacity (t/h)	Power (kW)
QHP800	STD-EC	353	32	258-1210	630
	STD-C	297	32		
	STD-M	267	25		
	STD-F	219	16		
	SH-C	155	13		
	SH-M	92	10		
	SH-F	33	5		

Product profile



Other: Positive pressure dust prevention system

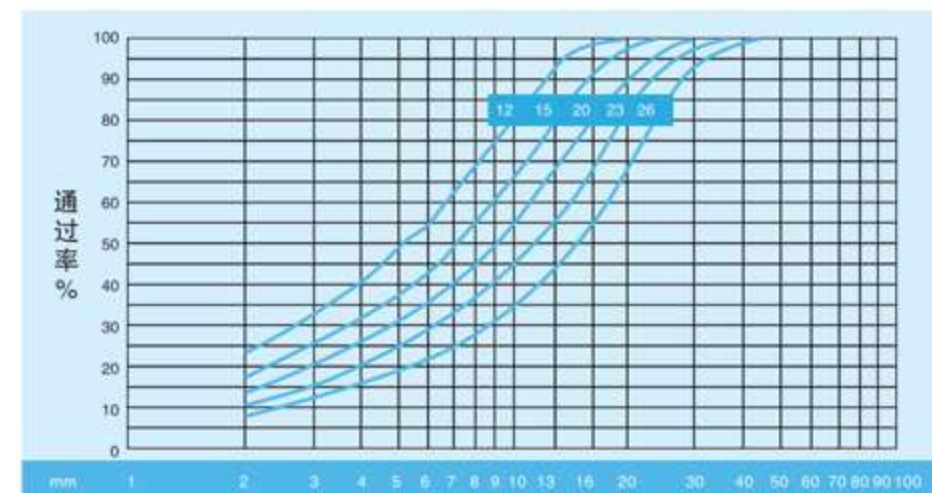
product dimension



Dimensions (mm)	QHP200	QHP300	QHP400	QHP500	QHP800
A : to the top of the crusher	1630	1866	2057	2292	3538
B : Inner diameter of feeding hopper	914	1078	1308	1535	1863
C : to end of countershaft	1160	1347	1645	1760	2225
D : clearance required for removing the countershaft	1840	2023	2475	2655	3450
E : to the oil pipe of the main frame	297	328	240	425	722
F : the maximum size at the adjustment ring	1952	2207	2370	2730	3702
clearance required for removing the fixed cone assembly	2140	2475	2653	3310	4854
clearance required for removing bowl assembly	2165	2455	2715	3165	4634
J: : additional upward travel due to clearing storke	70	87	150	128	159
K1 : additional upward travel due to clearing storke	1090	1320	1660	1764	1130
Main frame discharge port diameter	1240	1470	1726	2040	2420

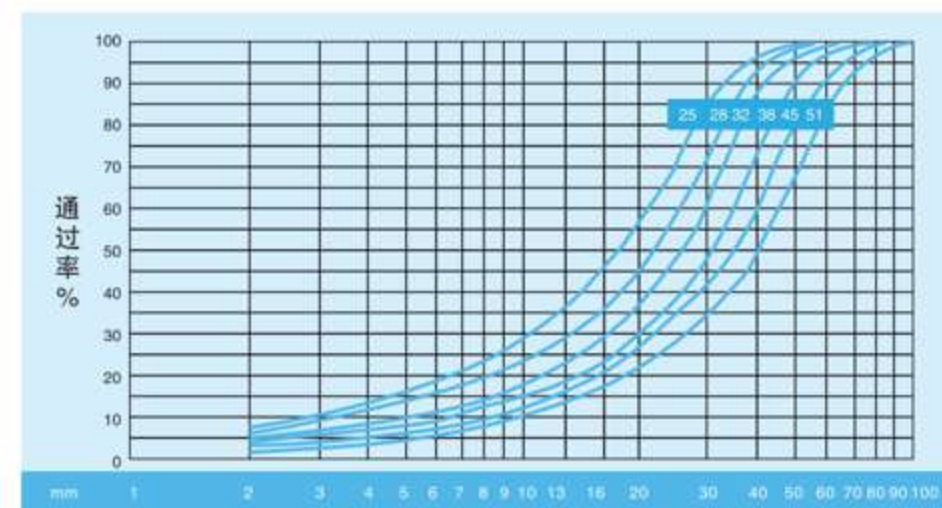
product grain size curve

Fine Crushing Particle Size Curve



*Production capacity is related to factors such as feeding force, crushing cavity type, material density, material cleanliness and moisture content.

Particle Size Curve for Intermediate Crushing



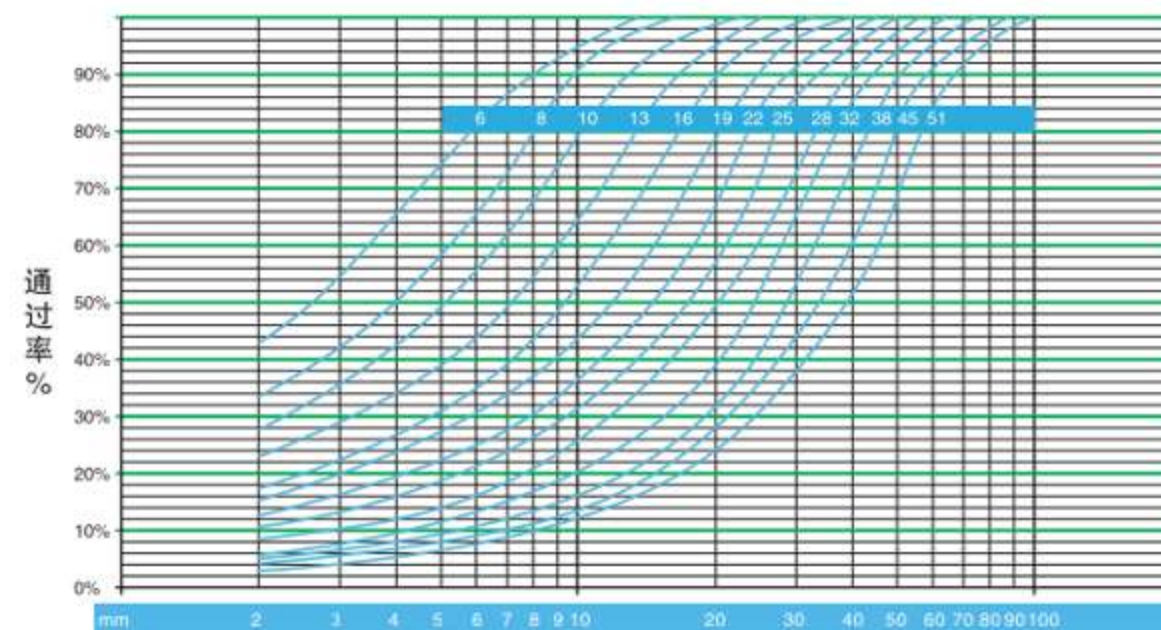
*Production capacity is related to factors such as feeding force, crushing cavity type, material density, material cleanliness and moisture content.

Technical specifications

Type	Cavity	The cavity-specific closed side feed opening(mm)	minimum setting (mm)	Power (kW)
QHP3	EC	200	25	250
	C	183	20	
	M	156	15	
	F	95	11	
	EF	18	8	
QHP4	EC	237	28	315
	C	203	25	
	M	158	16	
	F	116	10	
	EF	67	8	
QHP6	EC	328	30	500
	C	279	25	
	M	196	20	
	F	106	13	
	EF	52	9	

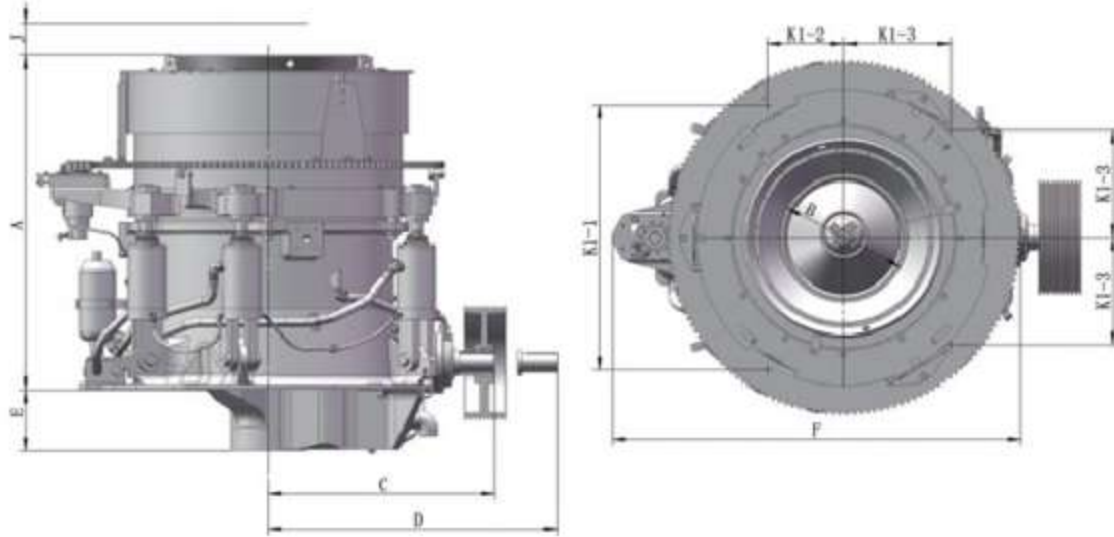
	8mm	10mm	13mm	16mm	19mm	22mm	25mm	32mm	38mm	45mm
QHP3	92-121	106-144	133-184	161-220	180-240	196-261	210-276	215-306	249-347	277-386
QHP4	133-175	155-208	192-261	235-312	258-344	285-375	297-399	308-440	359-599	400-554
QHP6		199-299	278-379	333-450	366-487	408-533	430-576	440-626	513-712	568-788

product grain size curve



*Production capacity is related to factors such as feeding force, crushing cavity type, material density, material cleanliness and moisture content.

product dimension



Dimensions (mm)	QHP3	QHP4	QHP6
A : to the top of the crusher	1817	2156	2627
B : Inner diameter of feeding hopper	978	1234	1537
C : to end of countershaft	1377	1422	1723
D : clearance required for removing the countershaft	1985	2008	2705
E : to the oil pipe of the main frame	344	395	433
F : the maximum size at the adjustment ring	2142	2210	2782
clearance required for removing the fixed cone assembly.	3126	2952	3415
clearance required for removing bowl assembly	3095	2919	3410
J: : additional upward travel due to clearing storke	95	92	135
K1 : additional upward travel due to clearing storke	1460/420/605	1680/485/680	2104/608/830
Main frame discharge port diameter	1340	1510	1882

ZM series cone crusher

Working principle

The ZM series cone crushers have elevated the performance of cone crushers to a new level. Compared with cone crushers of the same specifications on the market, they possess the highest crushing power utilization.

Thanks to the adoption of a larger stroke, materials can fall into the crushing cavity easily, thus maintaining a continuous and stable stroke capacity throughout the entire service life cycle of the liners.

Hydraulic protection

The discharge port is hydraulically adjusted, with overload protection and cavity cleaning functions. It enables uncrushable materials to pass through the crushing cavity instantly, thus maintaining a high crushing force. After the uncrushable materials pass through the crushing cavity, the discharge port will automatically return to the previously set size, reducing the downtime for maintenance, increasing the crushing efficiency and prolonging the service life of the equipment.

The equipment is reliable

The ZM series cone crushers perform excellently in various mining operations and are famous for their powerful crushing force.

Even when the crushing cavity of the ZM series cone crushers is worn, they can avoid local blockages at the feed inlet and achieve continuous and stable crushing.

Material Range

Sand and gravel yards, concrete mixing stations, quartz sand, etc.

Metal mine materials such as iron, gold, copper, etc.; non-metallic materials such as river pebbles, granite, basalt, limestone, quartzite, diabase, etc.

It has a high degree of automation

Adopting the advanced PLC electrical system, it can continuously monitor the operation status. It is easy to operate, safe and reliable. Moreover, the stand-alone operating system can also be integrated into the production line control system to complete the linkage control system.

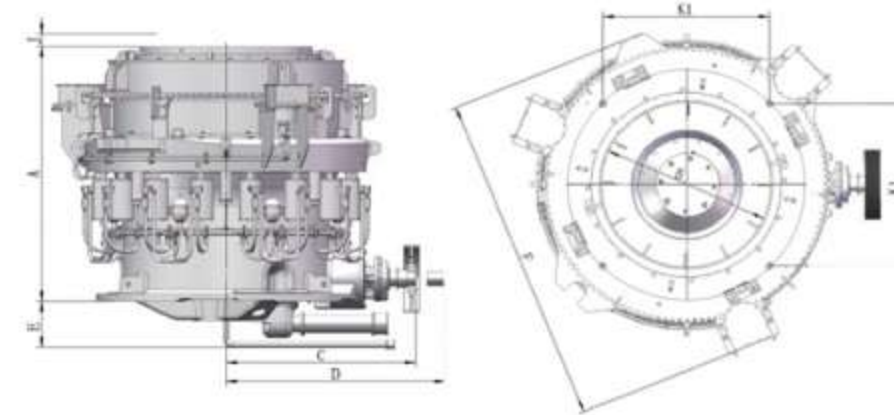
It is convenient for maintenance

The modular components of the ZM series cone crushers can be easily replaced. Attention is paid to every detail in each component, and it features a one-button disassembly function for daily maintenance, making maintenance both safe and simple.

Technical specifications

Type	Cavity	Feeding (mm)	Discharge opening dimension (mm)	handle capacity (t/h)	Power (kW)
ZM800	STD-C	343	32	490-1930	630
	STD-M	308	25		
	STD-F	241	19		
	STD-EF	144	19		
	SH-C	113	12		
	SH-M	71	10		
	SH-F	43	8		
ZM1000	STD-C	360	38	610-2420	750
	STD-M	343	32		
	STD-F	242	25		
	STD-EF	241	22		
	SH-EC	235	19		
	SH-C	140	12		
	SH-M	90	10		
	SH-F	63	8		
ZM1300	STD-C	368	38	590-3020	1000
	STD-M	351	32		
	STD-F	250	25		
	STD-EF	249	22		
	SH-C	148	12		
	SH-M	98	10		
	SH-F	71	8		

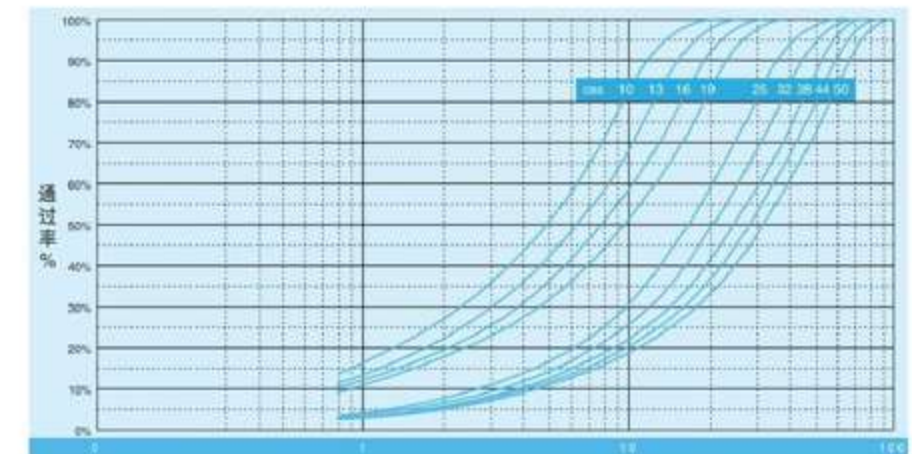
product dimension



Dimensions (mm)	ZM800	ZM1000	ZM1300
A : to the top of the crusher	3860	3993	3993
B : Inner diameter of feeding hopper	2210	2530	2530
C : to end of countershaft	2538	2855	2855
D : clearance required for removing the countershaft	3881	4320	4320
E : to the oil pipe of the main frame	762	670	670
F : the maximum size at the adjustment ring	4550	5360	5360
clearance required for removing the fixed cone assembly	5545	6033	5891
clearance required for removing bowl assembly	5518	5896	5896
J : additional upward travel due to clearing storke	163	150	150
K1 : additional upward travel due to clearing storke	2490	2490	2490

product grain size curve

*Production capacity is related to factors such as feeding force, crushing cavity type, material density, material cleanliness and moisture content.



QC series cone crusher



Working principle

The material be squeezes by eccentric swinging of head in a fixed crushing cavity to complete the crushing. Hydraulic control to adjust discharge and overloading protection.

The same host, only change liner plate and eccentric sleeve can obtain a wider range of discharge size .

Scope of material product usage

Iron , copper , manganese , molybdenum , lead , aluminum and other metal materials , Granite limestone , dolomite , basalt , pebble , calcite , barite , calcium , carbonate , coal and other non-metallic materials.

Good grain size

The hydraulic cone crusher adopts the special crushing cavity shape and lamination crushing principle to produce the crushing among particles, so that the proportion of the cube in the finished product is significantly increased, the needle flake stone is reduced, and the grain grade is more uniform.

Multi-purpose a machine convenient maintenance

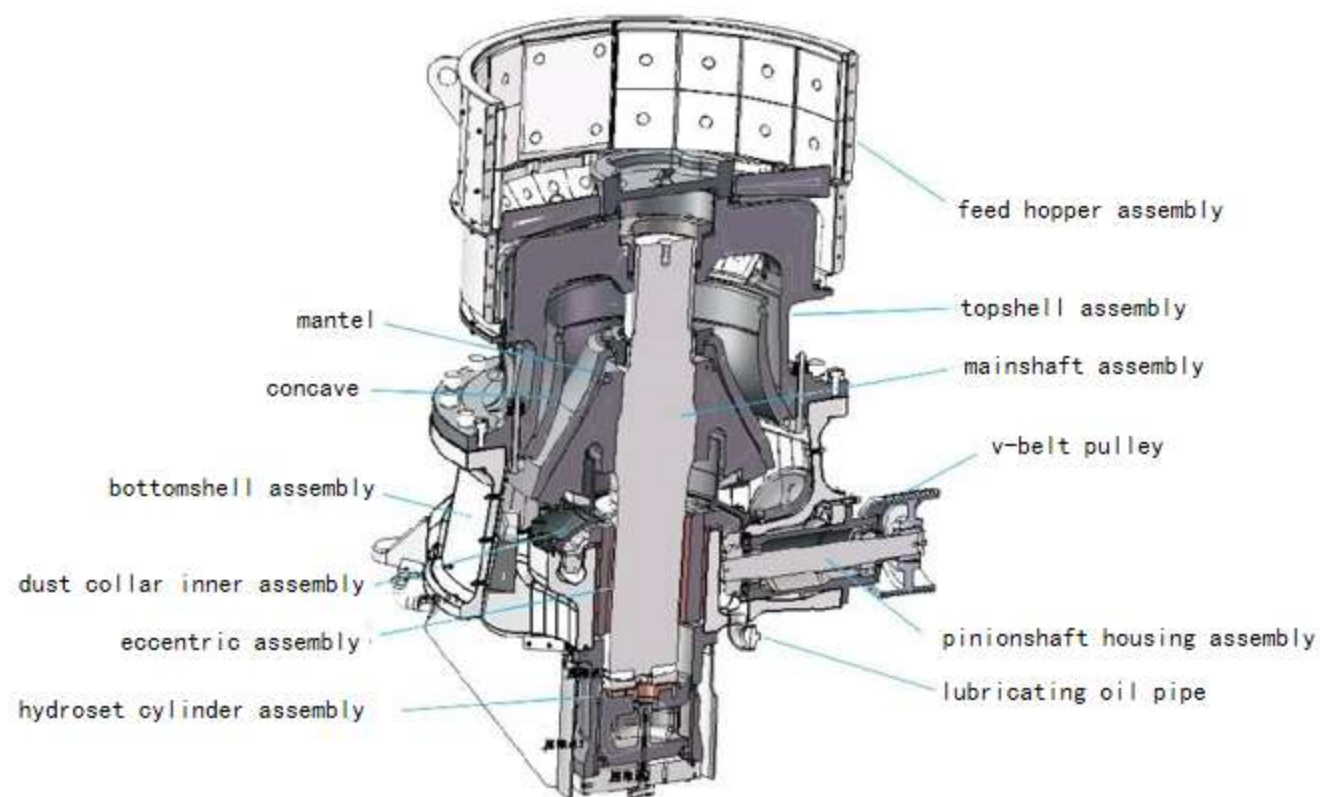
Intuitive operation interface, simple operation process. Hydraulic control achieves discharge stepless adjustment under load condition meanwhile to reduce shutdown time.

Technical specifications

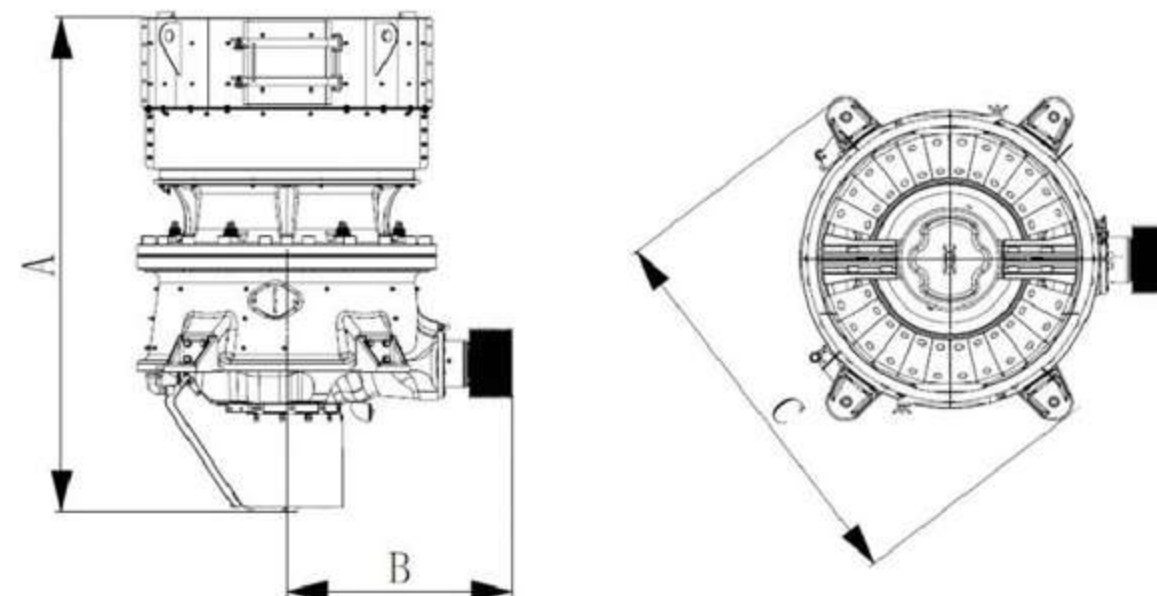
Type	Cavity	Stroke options (mm)	Feeding (mm)	Discharge opening dimension (mm)	handle capacity (t/h)	Power (kW)
QC480H	EC	16-44	215	16-44	90-395	250
	C		175	13-44		
	MC		140	13-38		
	M		110	13-38		
	MF		85	10-32		
	F		70	8-32		
	EF		38	6-7.5		
QC680H	EC	18-50	275	16-51	162-662	315
	CX		245	16-51		
	C		215	16-51		
	MC		175	16-44		
	M		135	16-38		
	MF		115	13-38		
	F		85	13-38		
	EF		65	13-22		
QC870H	EC	32-80	300	22-70	280-1512	630
	C		240	19-70		
	MC		195	19-70		
	M		155	19-70		
	MF		100	16-51		
	F		90	13-44		
	EF		80	10-44		

Type	Cavity	Stroke options (mm)	Feeding (mm)	Discharge opening dimension (mm)	handle capacity (t/h)	Power (kW)
QC480S	EC	20-36	450	35-54	195-600	250
	C		400	29-51		
	MC		300	25-51		
QC680S	EC	20-40	560	41-83	318-1050	315
	C		500	38-83		

Product profile



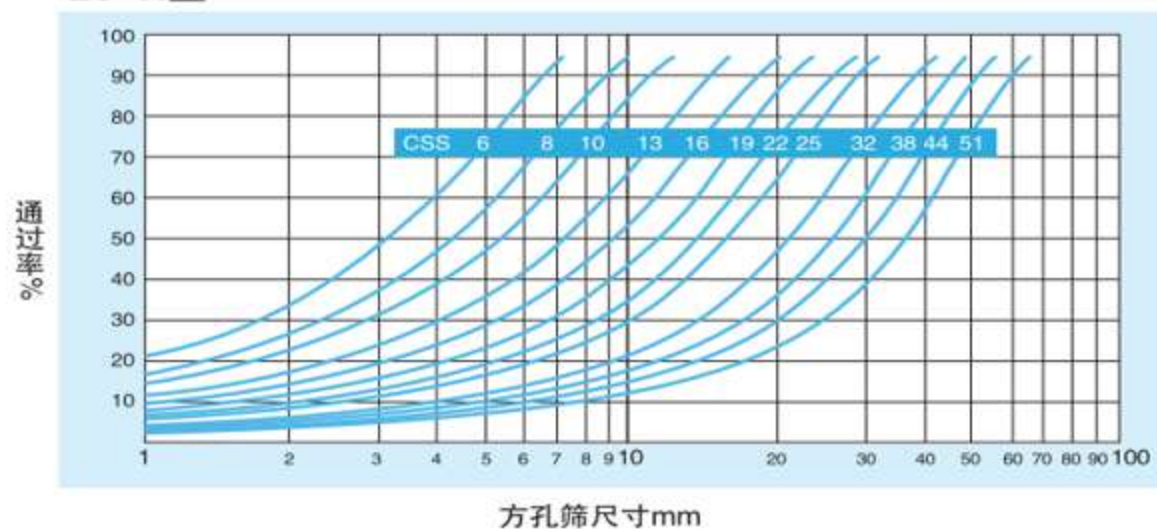
product dimension



Type	A	B	C
QC480H	2998	1410	2105
QC680H	3689	1660	2894
QC870H	4635	2040/coupling direct connection	3740
QC480S	3640	1410	2103
QC680S	4535	1660	2894

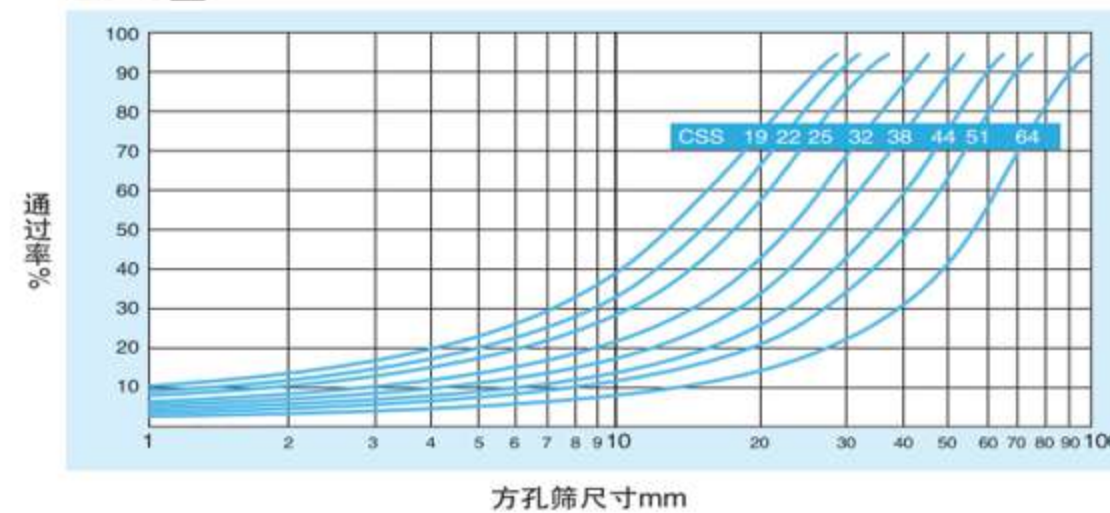
product grain size curve

QC-H型



*Production capacity is related to factors such as feeding force, crushing cavity type, material density, material cleanliness and moisture content.

QC-S型



*Production capacity is related to factors such as feeding force, crushing cavity type, material density, material cleanliness and moisture content.

» QG series cone crusher



» Product advantage

Equipment introduce

The QG series single cone crusher indeed has the characteristics you mentioned, such as a high crushing rate, high product quality, and stable operation. Its versatility in being applicable in a single machine for various working conditions and different crushing materials is quite advantageous. It can fulfill the crushing requirements for medium crushing, fine crushing, and super fine crushing, and can also be directly utilized for the coarse crushing of river pebbles.

Structure optimization and upgrading to achieve higher efficiency

The upper and lower of main shaft are supported which can be bear greater crushing force and stroke. The suitable lining plate selection makes the equipment have higher crushing efficiency .

Working principle

The material be squeezes by eccentric swinging of head in a fixed crushing cavity to complete the crushing.

Hydraulic control to adjust discharge and overloading protection .

The same host, only change liner plate and eccentric sleeve can obtain a wider range of discharge size .

scope of material product usage

Iron , copper, gold , manganese , molybdenum , lead , aluminum and other metal materials , Granite limestone , dolomite , basalt , pebble , calcite, barite , calcium , carbonate , coal and other non-metallic materials.

Increased degree of Automation

PLC control system can separately control the single machine according to the production requirements ; It can also be combined with the production line system to realize integrated automatic control .

Multi-purpose a machine convenient maintenance

Intuitive operation interface, simple operation process. Hydraulic control achieves discharge stepless adjustment under load condition meanwhile to reduce shutdown time.

Technical specifications

Fine crushing

Type	Cavity	Stroke options (mm)	Feeding (mm)	handle capacity (t/h)	Power (kW)
QG100H	C	16-25	142	35-102	75-90
	M		141		
	MF		95		
	F		53		
	EF		46		
QG220H	EC	18-40	213	70-275	132-220
	C		182		
	M		118		
	MF		101		
	F		89		
	EF		58		

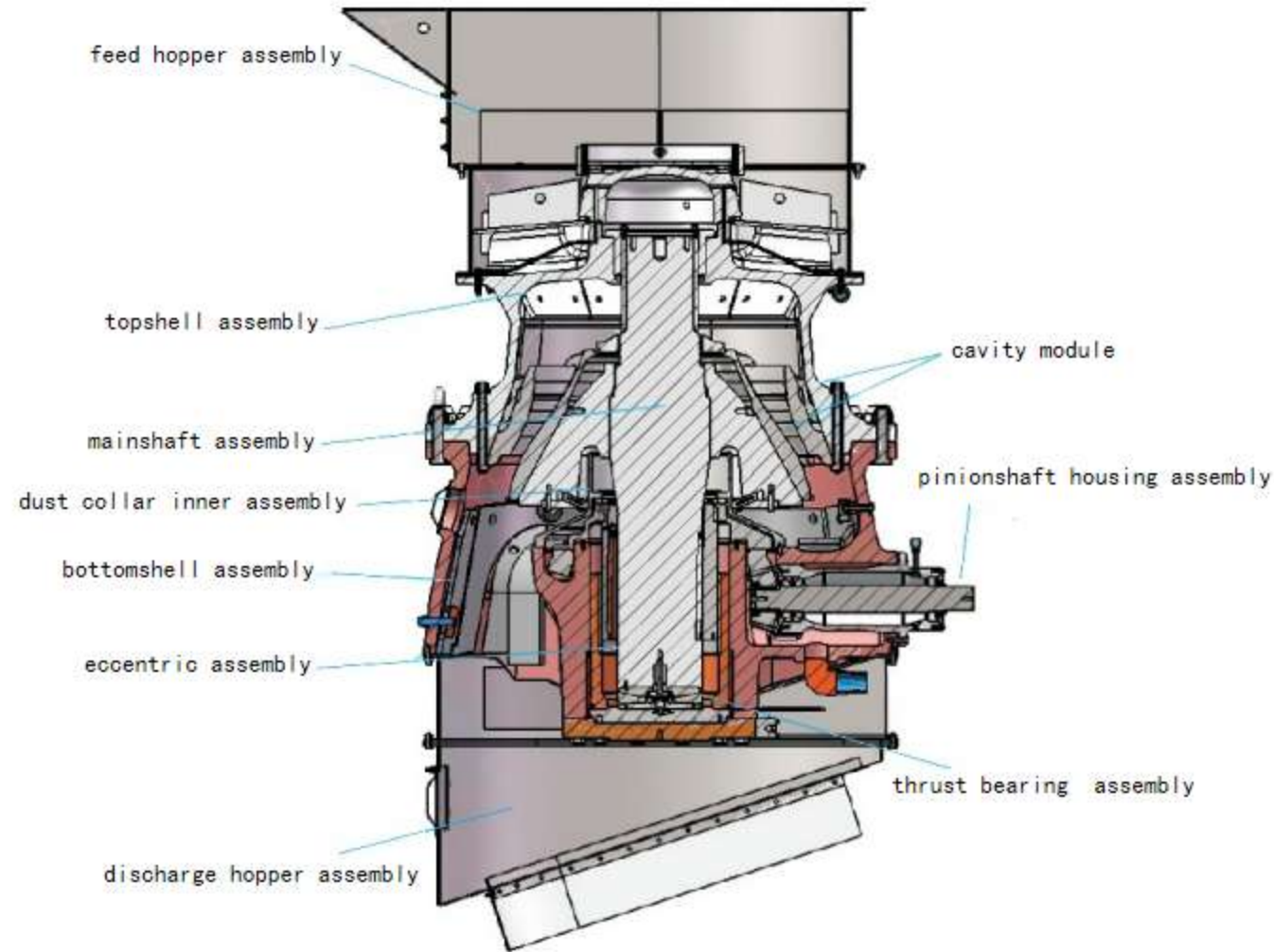
Type	Cavity	Stroke options (mm)	Feeding (mm)	handle capacity (t/h)	Power (kW)
QG330H	EC	18-40	225	105-388	250-315
	C		184		
	M		135		
	MF		107		
	F		85		
	EF		55		
QG550H	EC	25-45	250	140-505	250-400
	C		192		
	M		152		
	MF		113		
	F		95		
	EF		68		

Medium crushing

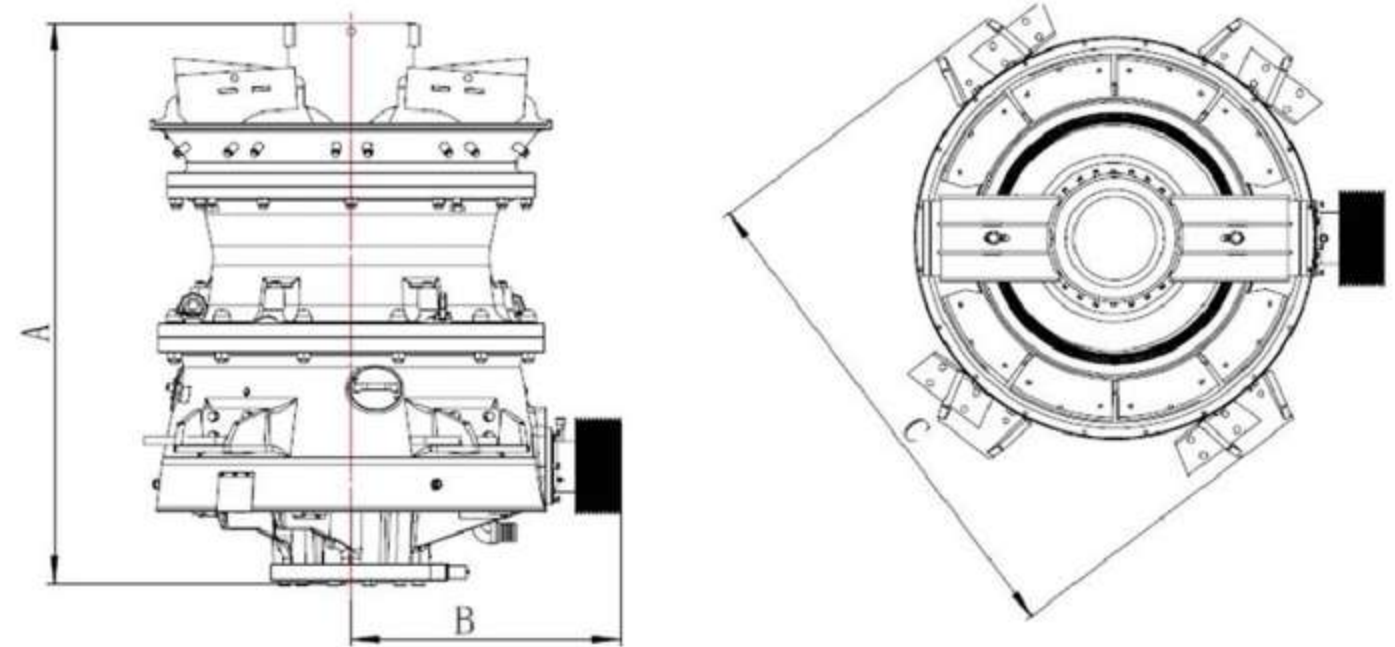
Type	Cavity	Stroke options (mm)	Feeding (mm)	handle capacity (t/h)	Power (kW)
QG100S	C	6-25	239	80-245	75-90
	M		206		
QG200S	EC	18-36	295	110-362	110-160
	C		222		

Type	Cavity	Stroke options (mm)	Feeding (mm)	handle capacity (t/h)	Power (kW)
QG300S	EC	18-36	332	180-436	132-250
	C		247		
QG500S	EC	18-40	401	300-878	200-355
	C		321		

Product profile



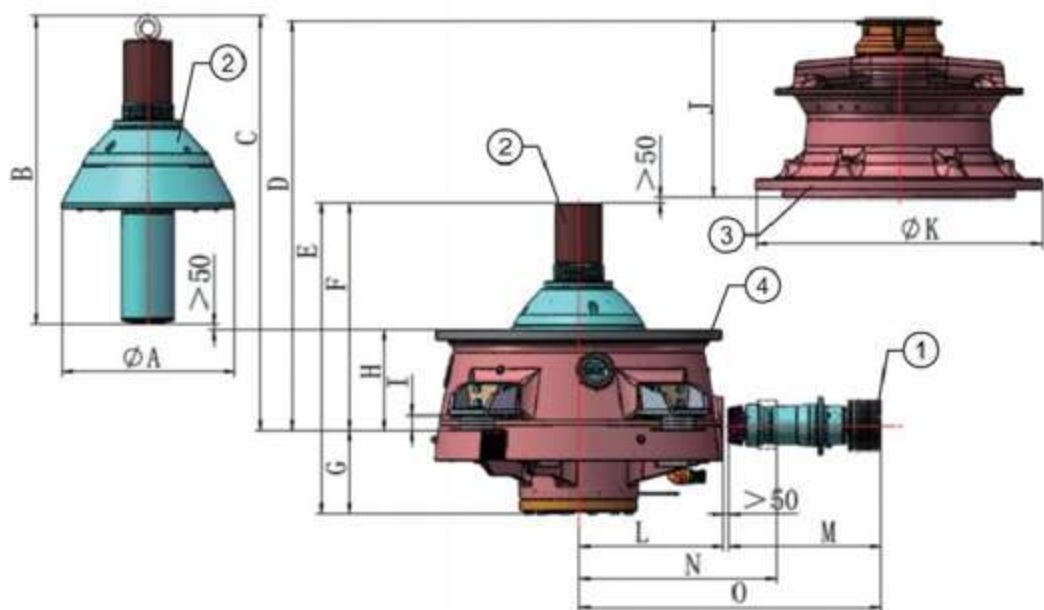
product dimension



Type	A	B	C
QG100H	2024	914	1550
QG220H	2145	1203	2160
QG330H	2440	1398	2415
QG550H	2905	1589	2975
QG100S	2328	908	1550
QG200S	2461	1165	2160
QG300S	2548	1299	2415
QG500S	3232	1588	2975



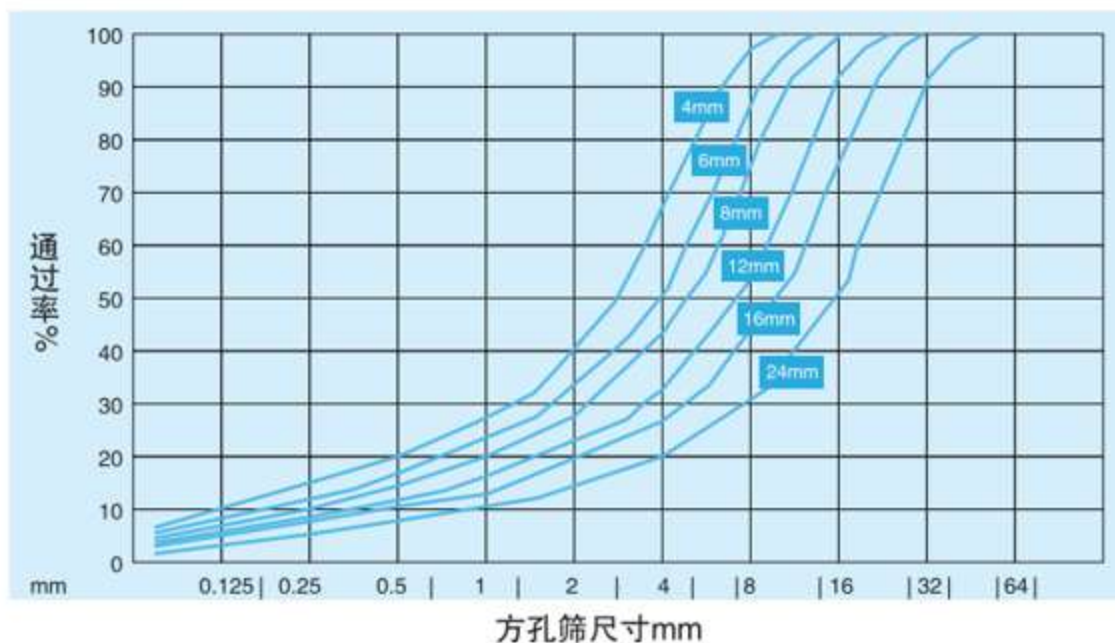
Size and weight of inspection space



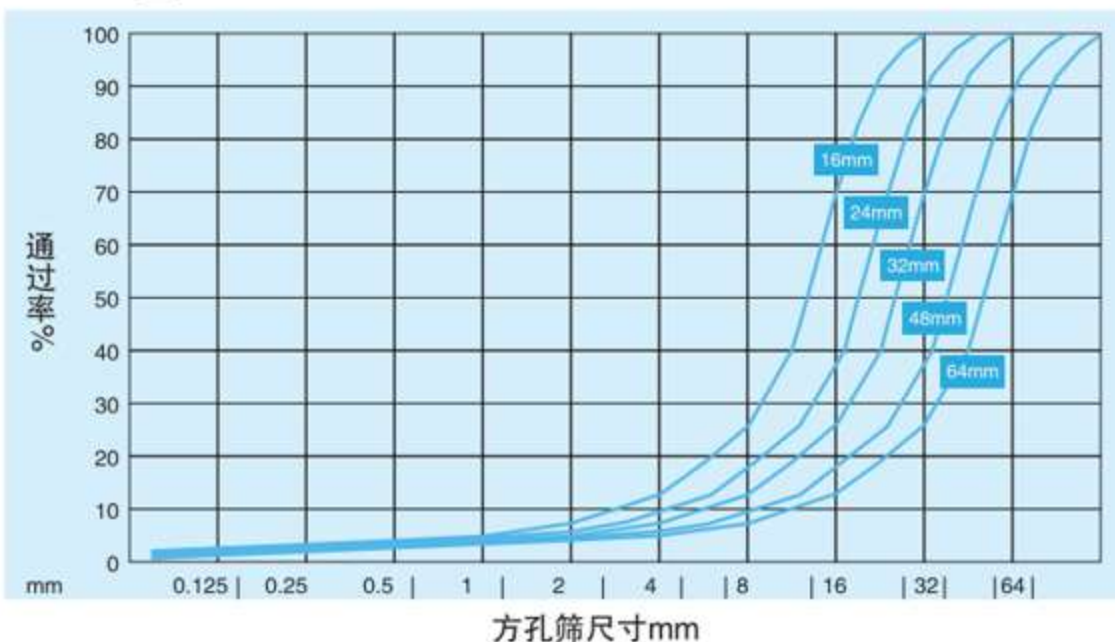
	QG100H	QG220H	QG330H	QG550H	QG100S	QG200S	QG300S	QG500S
A(mm)	805	1013	1167	1380	805	925	1160	1518
B(mm)	1550	1853	2091	2380	1800	2166	2231	2840
C(mm)	2367	2620	2898	3237	2617	2933	2961	3697
D(mm)	2225	2581	2827	3326	2800	3205	3291	4209
E(mm)	1821	1881	2114	2456	2071	2196	2265	2891
F(mm)	1255	1428	1551	1802	1505	1742	1766	2236
G(mm)	566	453	563	355	566	454	499	655
H(mm)	717	717	757	807	717	717	680	807
I(mm)	/	132	138	138	/	132	138	138
J(mm)	870	1103	1236	1475	1195	1413	1477	1925
K(mm)	1320	1540	1870	2280	1320	1540	1820	2280
L(mm)	700	830	940	1150	700	830	940	1150
M(mm)	660	830	1022	1150	660	830	1022	1134
N(mm)	/	1165	1400	1588	/	1165	1400	1587
O(mm)	1360	1710	2017	2350	1360	1710	2017	2334
1(kg)	190	170	350	475	00	170	350	475
2(kg)	1340	1700	3950	5145	1720	1950	4100	8650
3(kg)	1570	1600	4100	4573	1680	2650	4980	10900
4(kg)	2230	430	6900	11840	2230	4300	6500	12250

product grain size curve

QG-H型



QG-S型



*Production capacity is related to factors such as feeding force, crushing cavity type, material density, material cleanliness and moisture content.

>> CC Series jwa crushers



>> Product advantage

Working principle

The upper end of the pitman is directly suspended on the eccentric spindle, as the connecting rod of the crank, driven directly by the eccentric spindle, the lower end of the pitman is connected to the toggle plate to support the rear end of the frame. When the eccentric spindle rotates, the motion trajectory of each point on the pitman, its turns downward from the circular line of the suspension point into an ellipse, and the ellipse becomes more and more skewed as it moves toward the lower part, until the trajectory of the connection point between the lower part and the toggle plate is an arc line.

Product introduce

CC series jaw crushers can make coarse and medium crushing for all kinds of ore and rock ,such as hard abrasive materials. It has a removable and no weld frame, optimized cavity structure, double wedge adjustment device, selected raw materials and components, elastic limit damping device, integrated motor base and other special design, high crushing efficiency, low investment cost, long service life, stable operation.

Optimized chamber structure

By optimizing the structure of the crushing chamber and the parameters of the pitman trajectory, reasonable moment of inertia and larger crushing stroke make the crushing efficiency of the equipment higher under the same energy consumption.

Removable weldless frame

The problem of stress concentration caused by welding is avoided and the structure is more compact and reliable. The damaged main parts can be replaced , so that the service life of the equipment is improved, and invest cost is saved for customers.

Elastic limit damping device

The elastic limit block and rubber damping device can effectively absorb the peak load of vibration , thus reducing the mutual impact between the crusher and the foundation. And improving the service life of the equipment.

Double wedge adjustment device

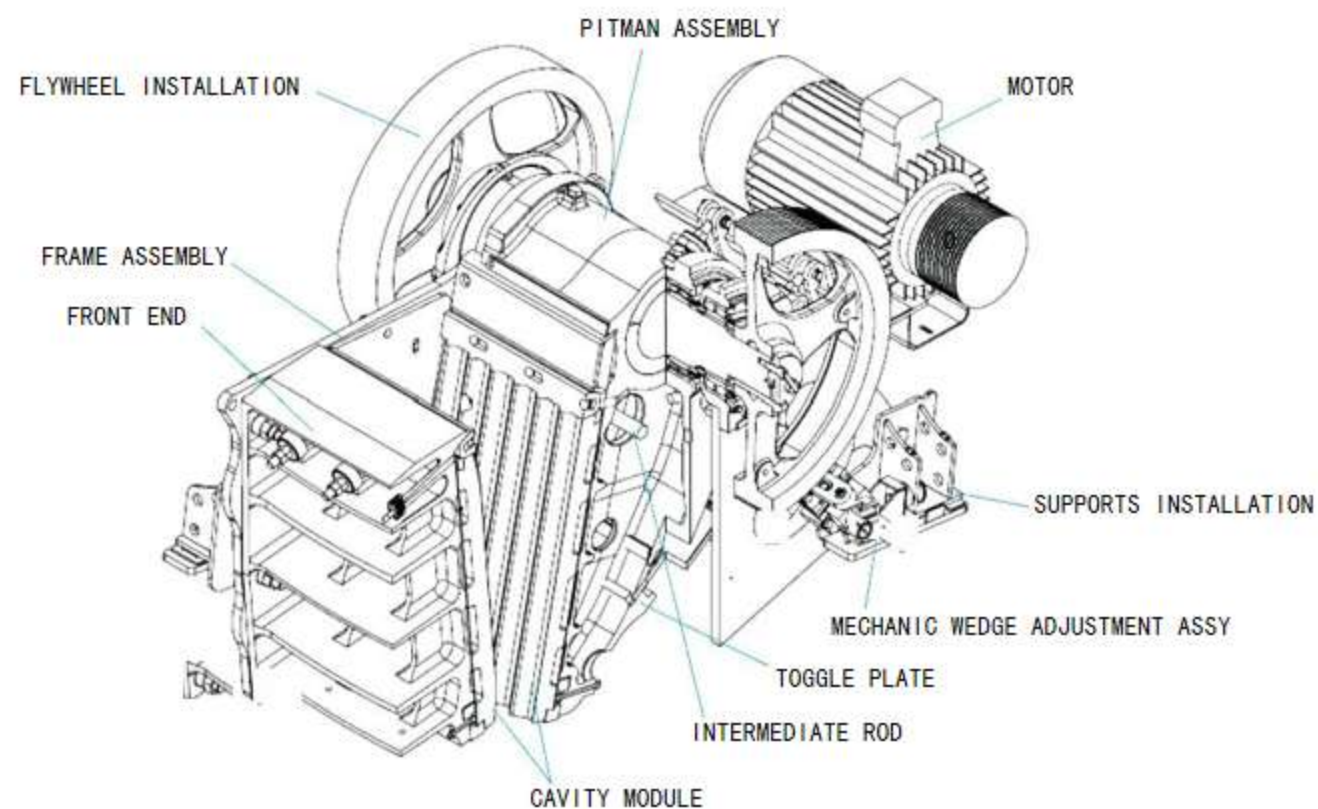
The wedge adjustment block replaces the traditional pad discharge opening adjustment, making the discharge adjustment operation more simple.

Integrated motor block design , the motor block is fixed on the crusher in order to reduce installation space and obtain more stable driving power.

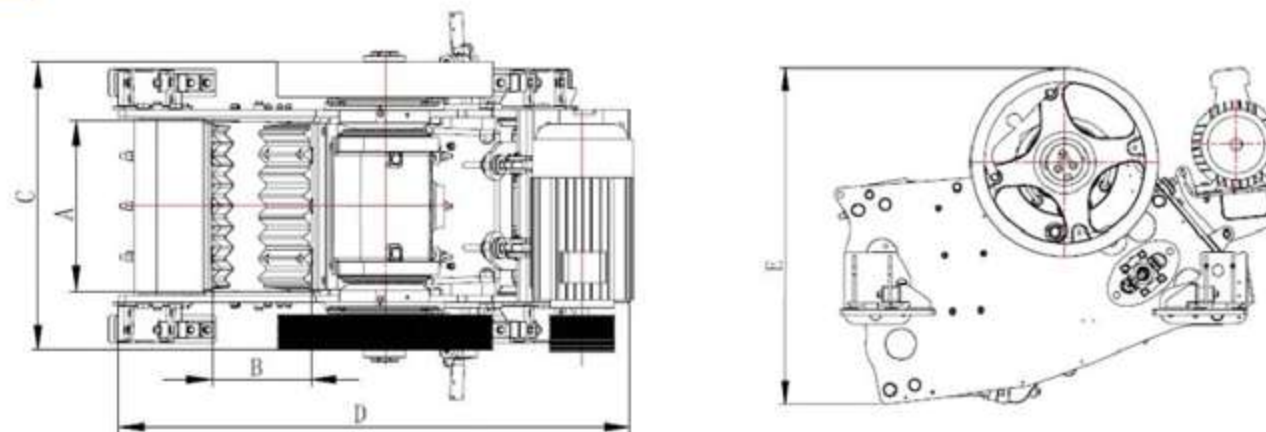
Technical specifications

Type	The cavity-specific closed side feed opening(mm)	minimum setting (mm)	Capacity (t/h)	Power (kW)
CC80	800*510	40-175	375	75
CC96	930*580	60-175	450	90
CC106	1060*700	70-200	580	110
CC116	1150*800	70-200	600	132
CC120	1200*870	80-200	650	160
CC125	1250*950	100-250	840	160
CC130	1300*1000	100-250	900	160
CC145	1400*1100	120-275	980	200
CC150	1500*1200	120-250	1070	200
CC160	1600*1200	150-300	1270	250
CC200	2000*1500	175-300	1580	400

Product profile

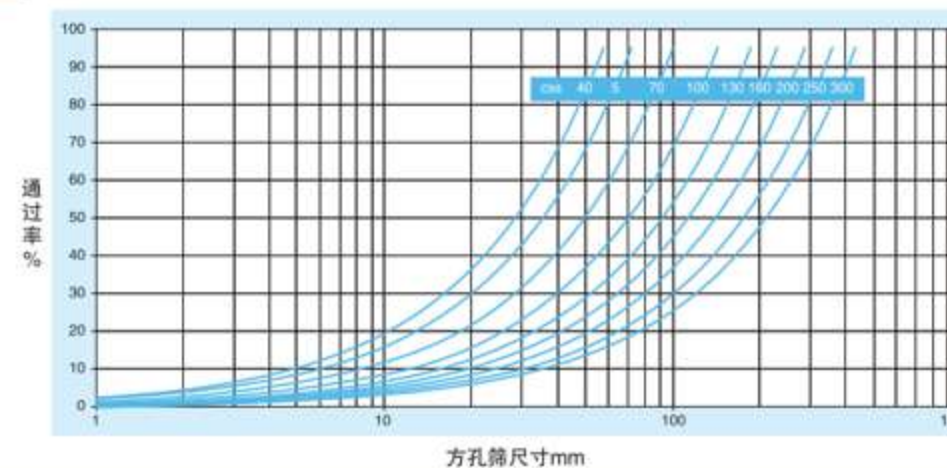


product dimension



型号	A	B	C	D	E
CC80	800	510	1526	2577	1750
CC96	930	580	1665	2880	1930
CC106	1060	700	2033	3320	2005
CC116	1150	800	2400	3603	2730
CC120	1200	870	2385	3608	2974
CC125	1250	950	2598	4130	3067
CC130	1300	1000	2736	4460	3326
CC145	1400	1100	3110	4600	3415
CC150	1500	1200	2882	5060	3961
CC160	1600	1200	3700	5900	3750
CC200	2000	1500	3750	6498	4557

product grain size curve



*Production capacity is related to factors such as feeding force, crushing cavity type, material density, material cleanliness and moisture content.

LZ Series Vertical shaft impact crushers



Product advantage

Simple structure

Novel and unique structure ; Light weight, various installation methods , smooth operation ; In the production process , the stone can become a protective film so that the crusher itself without wear and durable.

Easy maintenance , safe and reliable

The crushing chamber self-lining greatly reduces the cast of wear parts and maintenance workload , A small number of easy to wear parts made of special wear - resistant material , small size , light weight and easy to replace.

High efficiency

High efficiency and energy saving, with high crushing efficiency; strong ability to handle non-crushed materials and less affected by the moisture content of materials.

High Quality

The equipment has the function of shaping , the product is set up in square shape , The accumulation density is large and the iron pollution is small

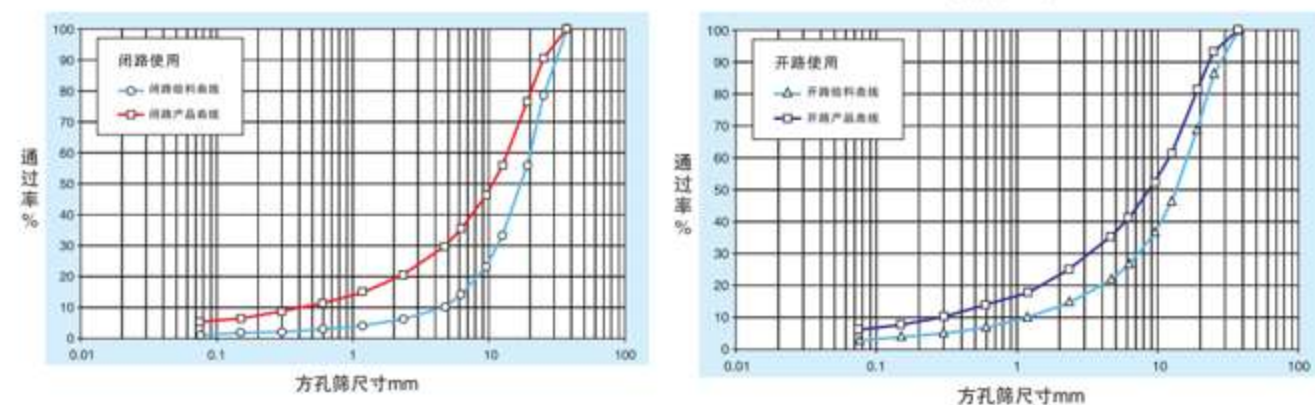
Product applicability

With fine crushing , coarse grinding function , Medium hard and extra hard materials can be crushed (such as corundum, sintered aluminum rock soil etc)

Low consumption

Low energy consumption, high output, large crushing ratio and low working noise.

product grain size curve



*Production capacity is related to factors such as feeding force, crushing cavity type, material density, material cleanliness and moisture content.

Technical specifications

Type	Maximum feed size (mm)	Speed (rpm)	Capacity (t/h)	Power (kW)
LZ6150	37	1500-2500	55-215	75-160
LZ7150	45	1100-2100	125-545	160-320
LZ9100	50	1000-1800	240-770	320-630

» XH Series Primary gyratory crushers



» Technical specifications

Type	Feed opening (mm)	Maxmum feed size(mm)	Discharge port(mm)	Capacity (t/h)	Power (kW)
XH4265	1065	900	140-175	1000-2870	400
XH5065	1270	1050	150-175	1200-2940	400
XH5475	1370	1150	150-200	1450-3490	450
XH6275	1575	1350	150-200	1500-4330	450
XH6089	1525	1300	165-230	2100-5800	630
XH60110	1525	1300	175-250	2760-8880	1250

» Equipment introduce

XH Series Primary gyratory crushers is match with the international advanced rotary crusher technology, is a new type of intelligent, high efficiency and large capacity of coarse crushing equipment. Integrate machinery, hydraulic, electrical, automatic intelligent control technology is equal to one. Compared with the traditional gyratory crusher, XH gyratory crusher has high crushing efficiency, low cost, convenient maintenance, and it can provide users with efficient and intelligent large capacity coarse crushing solutions.

» Product advantage

Large capacity Low cost

XH Series Primary gyratory crushers has a fine crushing chamber design, to ensure stronger production capacity, greater feed size and longer liner life; Large dip Angle and long crushing surface design, with the optimized design of stroke and speed, so that the crusher has super crushing capacity, suitable for all kinds of coarse crushing operation ; By simply replacing the eccentric sleeve, the processing capacity of the crusher can be changed to meet the needs of different crushing process.

Flexibly matched and highly versatile

It can be used in all crushing stages and recycling processes. Different accessories can be selected for the equipment according to actual needs.

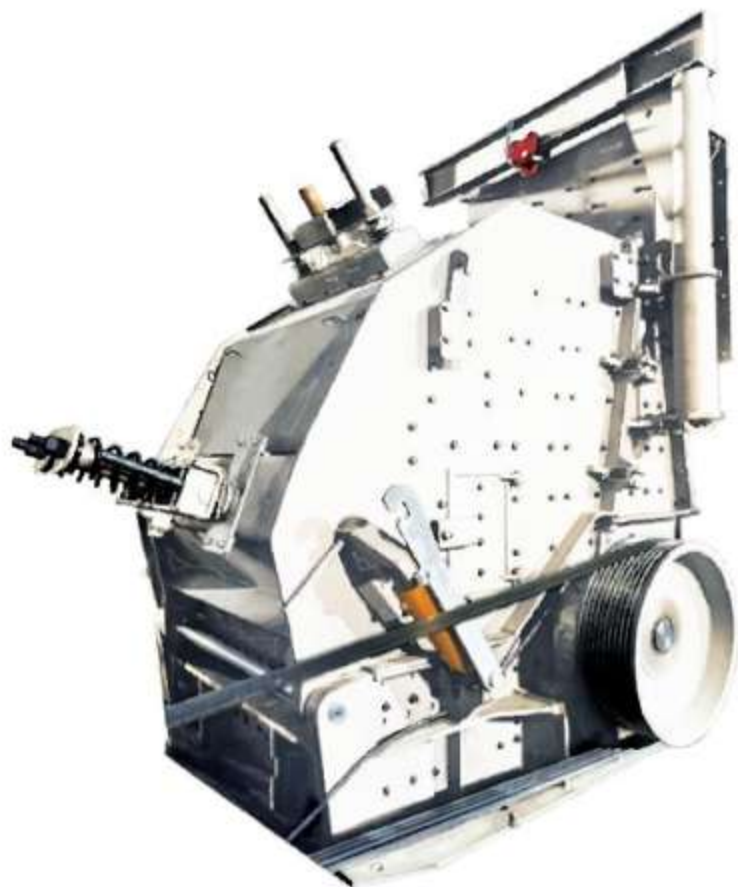
convenient for maintenance

The hydraulic device can be used for adjusting the discharge port. Moreover, it can open the frame, making it more convenient to enter the inside of the crusher for maintenance and inspection. The hammers can be replaced freely in different directions, which is applicable to complex and compact sites. Additionally, a rotor rotation system can be optionally equipped so that the rotor can be positioned without having to enter the inside of the crusher when replacing the hammers or adjusting the discharge port.

low cost

The rotor has a larger moment of inertia, which can increase the output and save energy consumption. The wearing parts have different degrees of wear and can be interchanged with each other, thus reducing the quantity of spare parts.

>> FP Series impact crusher



>> Technical specifications

Type	Feed opening(mm)	Maximum feed size(mm)	Capacity (t/h)	nominal installed power (kW)
FP13	1320X560	350	200-625	250
FP15	1540X600	400	230-706	315
FP20	2040X700	400	430-1250	2x250
FP1100	1020X820	600	130-230	160
FP1313	1320X1225	900	300-480	200
FP1415	1540X1320	1000	360-600	250
FP1620	2040x1634	1300	570-930	2x200
FP2023	2310x1986	1500	1160-1960	2x500

>> Product advantage

High performance

The combination of the heavy-duty rotor design, high-wear-resistant materials and the optimized design of the crushing chamber optimizes production capacity and product quality, reduces the hourly production cost and the wear of wearing parts. The processing and fixing designs of the wearing parts such as hammers and the rotor eliminate stress, reduce the probability of hammer breakage, and improve safety and reliability.

High intensity production

XH Series Primary gyratory crushers machine higher strength, longer service life, to ensure more safe and reliable continuous high intensity production; High strength super heavy frame design, can be applied to harsh production conditions, ensure safe and trouble-free operation, reduce shutdown time; The moving cone lock thread is located on the replaceable main shaft sleeve, and the main shaft has no thread, no stress concentration and higher strength.

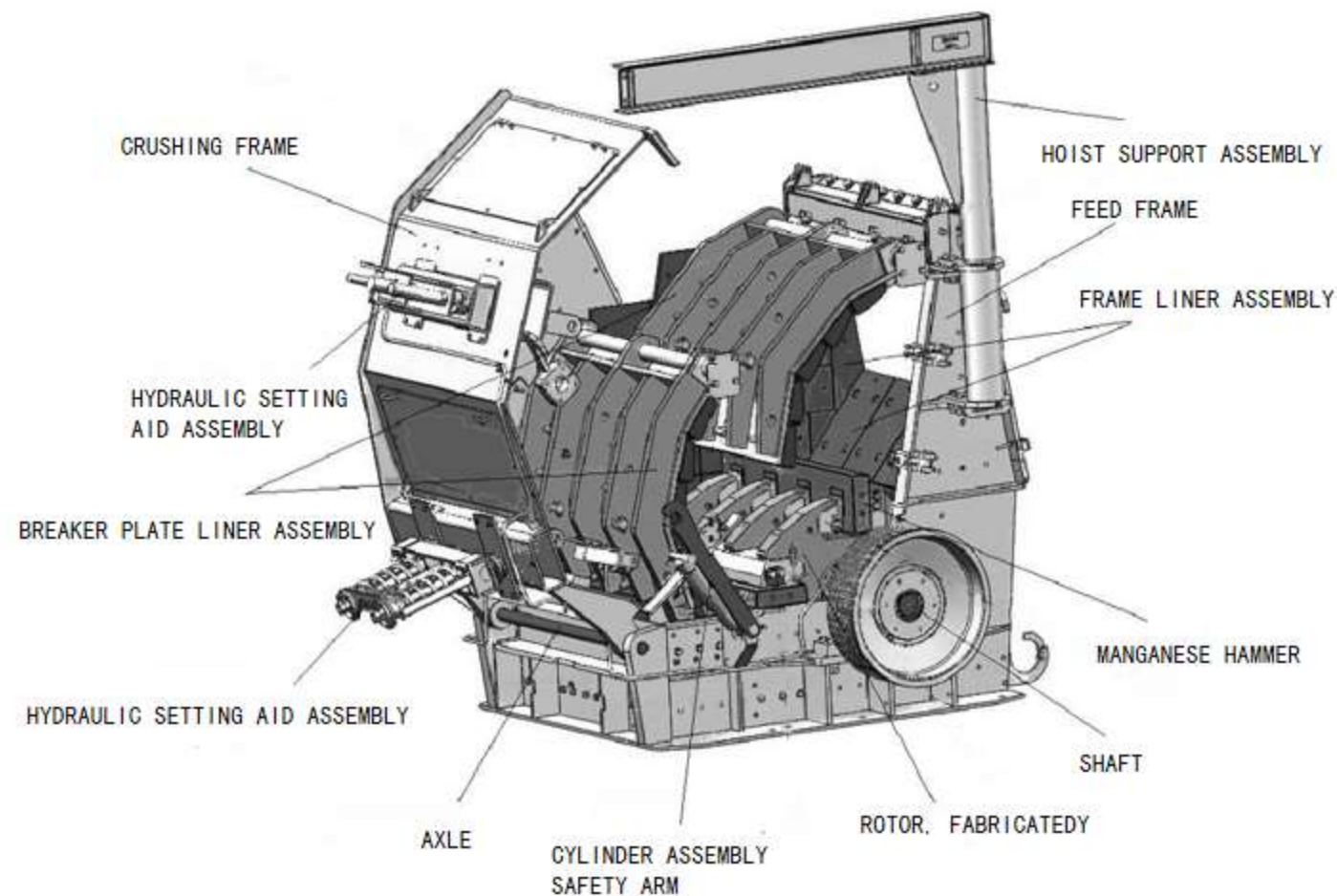
Easy to operate and maintain

XH Series Primary gyratory crushers as a super large equipment, in the design of special attention to the convenience of maintenance, automatic lubrication and hydraulic system. Lubrication system can automatically lubricate heating, cooling and circulation according to production conditions; Equipped with automatic spindle position control system, you can control the main shaft through the hydraulic system, convenient to adjust the size of the discharge chute, but also can compensate liner wear, control the size of the grain; The gear backlash can be easily adjusted through the external gear adjustment device, and the spider bushing and seal can be replaced without removing the spider. A hydraulic separator of spider can be configured when the spider needs to be removed.

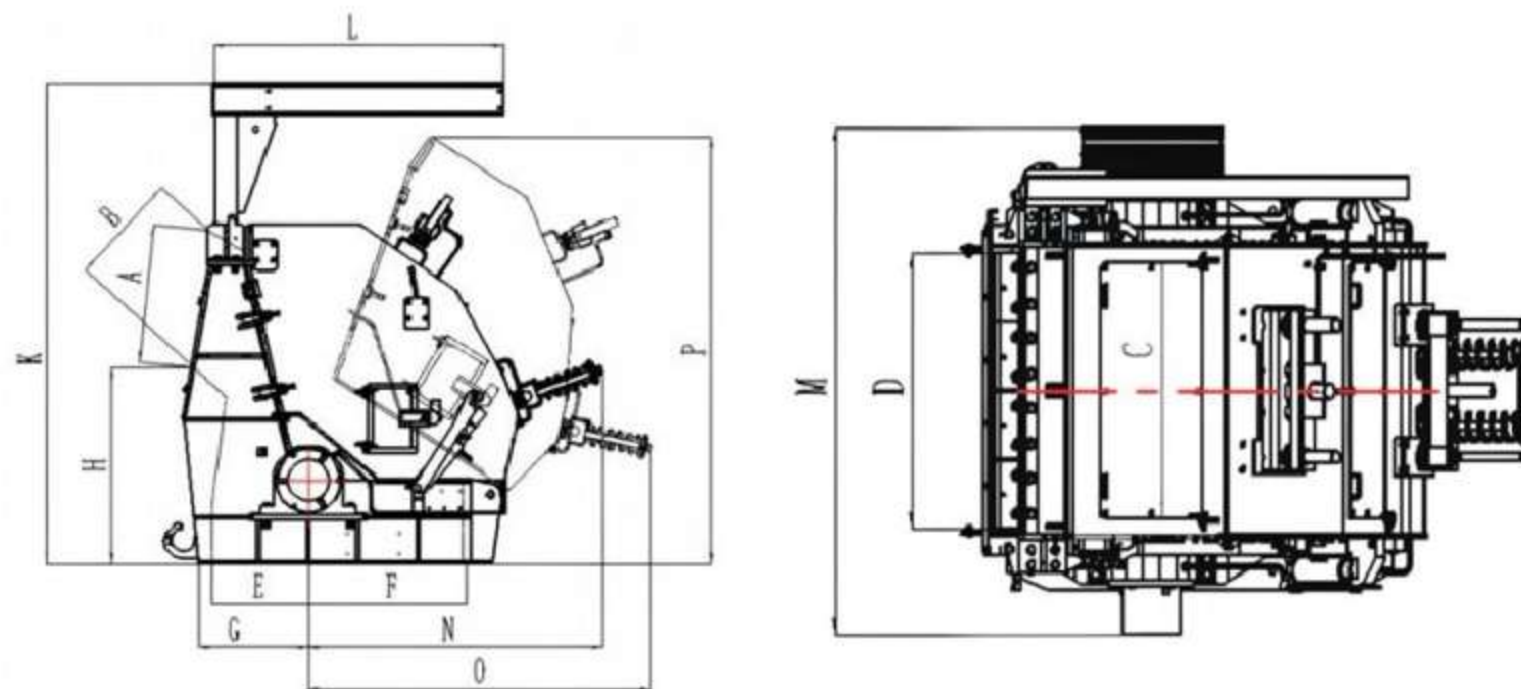
High efficiency intelligence

High efficiency equipment adopts automatic control system, equipped with lubrication pressure, lubrication temperature, bearing temperature, rotation speed, main shaft position and other sensors, PLC and touch screen, to realize the detection and control of each link of the equipment and real-time display; And can automatically diagnose running fault, record equipment production information. The automatic control system can not only control and protect the operation of the equipment, reduce the maintenance cost and shutdown time of the equipment, and improve the operation rate of the equipment; It can also optimize the working parameters of the equipment according to the operation condition of the equipment, improve the production efficiency of the equipment, and ensure the stable and efficient production of the equipment with low consumption.

Product profile

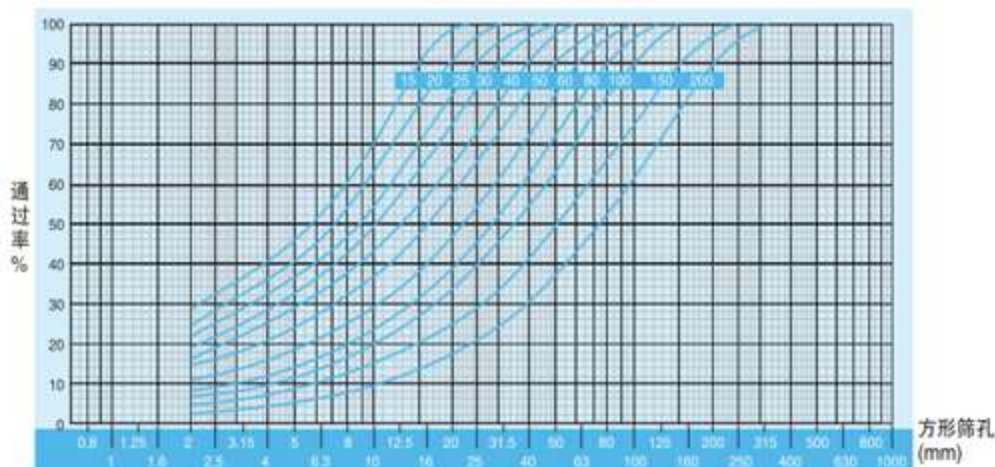


product dimension



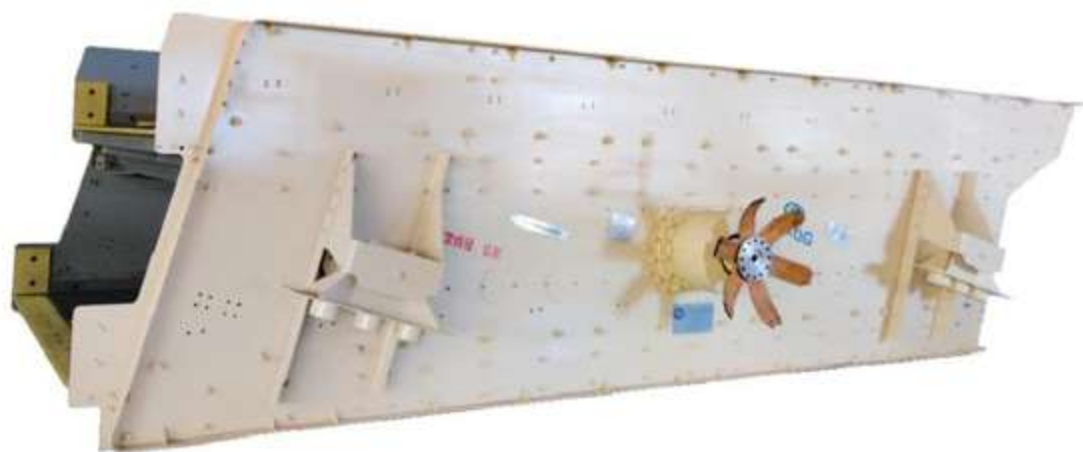
product grain size curve

*Production capacity is related to factors such as feeding force, crushing cavity type, material density, material cleanliness and moisture content.



Type	A	B	C-D	E	F	G	H	P	L	M	N	O	K
FP13	560	560	1320	705	1106	797	1558	2500	3050	2531	1980	3050	3481
FP15	600	600	1540	7000	1177	845	1670	2700	3055	3785	2050	3250	3840
FP20	700	700	2040	885	1368	974	1932	3088	4000	37202	2284	3663	4157
FP1100	820	710	1020	652	1105	796	1125	2716	1800	24106	1830	2030	3055
FP1313	1225	1050	1320	760	1305	964	1386	3405	2100	2560	2340	2764	3765
FP1415	1320	1140	1540	800	1305	998	14730	3600	2295	2811	2425	2830	4000
FP1620	1634	1400	2040	920	1600	1270	1772	4400	3000	3820	2630	3105	4950
FP2023	1986	1720	2310	1140	2210	1631	2273	5514	3930	4424	3520	4100	6000

XM Series inclined screens



The shaft system of the XM series inclined screen is located at the center of gravity to generate an overall circular vibration trajectory. Under the action of gravity, the fed materials move forward along the entire screen surface at a uniform speed and prevent clogging, ensuring reliable operation. Therefore, compared with traditional horizontal screens, the inclined screen has higher productivity.

The XM series inclined screen has fewer shafts and doesn't require high installed power. It has a larger spacing between screen layers, and the utilization rate of wearing parts and spare parts is high, which can ensure the safe and quick replacement of screen plates and greatly reduce maintenance downtime.

Type	Stages	handle capacity (t/h)	Power (kW)	Surface area (m ²)
XM1637-1	1	400	15	5.7
XM1637-2	2	400	15	5.7
XM1637-3	3	400	15	5.7
XM1637-4	4	400	15	5.7
XM2060-2	2	700	15	12
XM2060-3	3	600	22	12
XM2060-4	4	600	22	12
XM2661-2	2	800	22	16
XM2661-3	3	800	30	16
XM2661-4	4	800	30	16
XM3173-2	2	1500	44	22.5
XM3173-3	3	1500	60	22.5

TY Series horizontal screens



The TY series vibrating screen has an axis-eccentric elliptical motion trajectory, ensuring efficient, reliable and precise classification of materials under various material conditions.

It adopts the relative motion of two unbalanced shafts to generate unbalanced exciting forces, thus making the screen machine move in an elliptical motion. Its output is 25% higher than that of traditional vibrating screens, and it can achieve the best screening effect even for wet and sticky materials.

The TY series elliptical screen is convenient for installation and maintenance. There is a larger spacing between screen layers, and it is more convenient and quicker to replace the screen mesh, which greatly shortens the maintenance downtime.

Type	Stages	handle capacity (t/h)	Power (kW)	Surface area (m ²)
TY1848-2	2	550	30	9.1
TY1848-3	3	550	37	9.1
TY1861-2	2	650	37	11.4
TY1861-3	3	650	37	11.4
TY2561-2	2	850	52	15.1
TY2561-3	3	850	52	15.1
TY2573-2	2	1025	52	18.1
TY2573-3	3	1025	77	18.1

>> XJ Series banana screens



Equipment Description:

1. It has a large processing capacity and flexible operation, and can be equipped with any type of screen mesh.
2. It has a wide range of applications and is suitable for various scenarios such as quarries.
3. It combines high output with high precision, and its unique motion design improves the screening efficiency.
4. It features a durable design, with modular exciters and non-welded side plates.
5. It is safe and easy to maintain. It complies with strict standards, and the large spacing between screen layers facilitates the replacement of screen plates.

Type	Stages	handle capacity (t/h)	Power (kW)	Surface area (m ²)
XJ1550-2	2	450	15	7.6
XJ1550-3	3	450	15	7.6
XJ1860-2	2	750	22	11
XJ1860-3	3	750	22	11
XJ2460-2	2	900	30	15
XJ2460-3	3	900	20	15
XJ2483-2	2	1200	30	20
XJ2483-3	3	1200	44	20
XJ3083-2	2	1500	44	25
XJ3083-3	3	1500	60	25

>> BT Series Grizzly Feeders



Equipment Description:

1. It can be started under load, with stable motion. It adopts frequency conversion speed regulation control and enables continuous and uniform feeding.
2. Its parts are replaceable and have good universality. It has a high degree of standardization and modularization. There are multiple optional configurations available for customized requirements.
3. The stepped grate bars are arranged in an interlaced manner and designed with a large drop, which can increase the movement of materials, efficiently separate large and small particles, avoid jamming of large particle materials, achieve high screening efficiency and short downtime.
4. The vibration excitation components have a compact structure, stable transmission and high efficiency.

Type	Size (mm)	handle capacity (t/h)	Maximum feed size(mm)	Power (kW)
BT1142	1100×4200	500	700	10
BT1148	1100×4800	500	700	10
BT1361Q	1300×6100	600	900	15
BT1361	1300×6100	750	900	30
BT1661	1600×6100	1000	1200	30
BT2066	2000×6600	1800	1500	55

Conveyors



Equipment introduce

The belt conveyor in mines is a key piece of equipment in the mine transportation system. It mainly consists of components such as conveyor belts, driving devices, rollers, idlers, and tensioning devices. The conveyor belt is the part that bears and transports materials. Generally made of materials like rubber, it has strong wear resistance and transportation capacity. It can transport a large amount of ores and other materials within a certain period of time, and the transportation process is relatively smooth, which can reduce the loss and spillage of materials. Meanwhile, it can be flexibly arranged according to the mine terrain and operation requirements, such as horizontal transportation, inclined transportation, and some can even achieve long-distance transportation, effectively improving the transportation efficiency of mine exploitation.

Product advantage

1. It has low power consumption, little belt wear and high production efficiency.
2. It features a compact structure and doesn't require a foundation. The frame is lightweight, easy to disassemble and has a low investment cost.
3. It operates reliably, has a large conveying capacity, and when the conveying distance is relatively long, an intermediate driving device can be configured to supplement the driving power.
4. The conveying route is flexible and has strong adaptability, making it suitable for various complex working conditions.

Technical specifications

Type	Length (m)	Power (kW)	Belt speed (m/s)	Installation inclination°	Handle capacity (t/h)
B=650	7-10	4	1.2-1.8	0-18	120-200
	11-15	5.5			
	16-20	7.5			
	21-25	11			
	26-30	15			
B=800	7-10	5.5	1.6-2.0	0-18	200-350
	11-15	7.5			
	16-20	11			
	21-25	15			
	26-30	18.5			
B=1000	7-10	7.5	1.6-2.0	0-18	200-500
	11-15	11			
	16-20	15			
	21-25	18.5			
	26-30	22			
	31-35	30			
B=1200	7-10	11	1.6-2.0	0-18	500-800
	11-15	15			
	16-20	18.5			
	21-25	22			
	26-30	30			
	31-35	37			
B=1400	7-10	15	1.6-2.0	0-18	800-1100
	11-15	18.5			
	16-20	22			
	21-25	30			
	26-30	37			
	31-35	45			
B=1600	7-10	18.5	1.6-2.0	0-18	1100-1450
	11-15	22			
	16-20	30			
	21-25	37			
	26-30	45			
	31-35	55			
	36-40	75			
41-45	90				

Note: The power of the belt conveyor is affected by various parameters at the same time and the above data is for reference only.

workshop and spare parts

Anshan Qian Gang Machinery Manufacturing Co., Ltd. has always adhered to the enterprise philosophy of "excellent quality, top-notch technology, good service and win-win cooperation", and upheld the enterprise tenet of "integrity and excellence". We provide professional, fast and high-quality accessories and after-sales service.

